

# C.I.P.

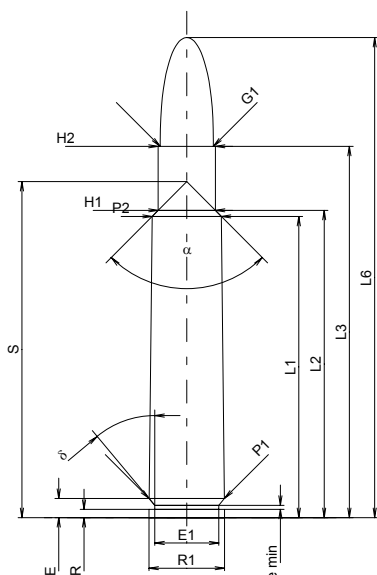
## 416 Rigby

Country of Origin: GB

TAB. I

Date 84-06-14

Revision 02-05-15



### CARTRIDGE MAXI

#### Lengths

L1 <sup>1)</sup> *	=	59.77	-0.20
L2 <sup>1)</sup> *	=	60.96	-0.20
L3 <sup>1)</sup>	=	73.66	
L4	=		
L5	=		
L6	=	95.25	

#### Case Head

R	=	1.65	
R1	=	14.99	
R3	=		
E	=	3.81	
E1	=	12.70	
e min	=	0.81	
δ	=	39°55'48"	
f	=		
β	=		

#### Powder Chamber

P1	=	14.96	
P2 <sup>1)</sup> *	=	13.72	-0.20

#### Junction Cone

α	=	89°45'32"	
S	=	66.66	
r1 min	=		
r2	=		

#### Collar

H1 *	=	11.35	
H2 <sup>1)</sup>	=	11.33	

#### Projectile

G1 <sup>1)</sup>	=	10.57	
G2	=		
F	=		
L3+G <sup>1)</sup>	=	81.28	

#### Pressures (Energies)

##### Method Transducer

Pmax	=	3250 bar	
PK	=	3738 bar	
PE	=	4060 bar	
M	=	25.00	
EE	=	7270 Joule	

#### Miscellaneous Dimensions

Fe <sup>1)</sup>	=	0.15	
delta L	=		

### CHAMBER MINI

#### Lengths

L1 *	=	59.72	
L2 *	=	60.91	
L3 <sup>1)</sup>	=	73.96	

#### Breech

R	=	1.65	
R1	=	15.04	
R2	=		
R3	=		
r	=		

#### Powder Chamber

E	=	3.81	
P1 <sup>1)</sup>	=	14.99	
P2 *	=	13.74	

#### Junction Cone

α <sup>1)</sup>	=	89°30'57"	
S	=	66.65	
r1 max	=		
r2	=		

#### Collar

H1 *	=	11.38	
H2 <sup>1)</sup>	=	11.35	

#### Commencement of Rifling

G1 <sup>1)</sup> *	=	10.59	
G <sup>1)</sup> *	=	7.62	
α1	=	90°	
h *	=	0.38	
s	=		
i <sup>1)</sup>	=	0°54'36"	
w	=		

#### Barrel

F <sup>1)</sup> *	=	10.36	
Z <sup>1)</sup>	=	10.57	

#### Grooves

b	=	3.60	
N	=	6	
u	=	420.00	
Q	=	86.61	mm <sup>2</sup>

Scale 1:1.5

Dimensions in << mm >>  
Dimensions and Tolerances for Proof Barrels  
see Appendix CR 1.

Notes: 1) Check for safety reasons  
\* Basic dimensions